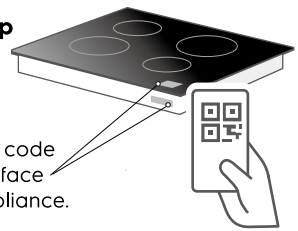


**Enjoy peace of mind.
Register your appliance today.**

Stay updated on better living services,
safety notices and shop for accessories.

- 1. Open the camera app on your smartphone and point at the QR code to scan.**

Product Registration QR code is located on the top surface or underside of your appliance.



- 2. Tap the notification or link to open the registration form.**

- 3. Complete your details and enjoy peace of mind.**

CERAMIC COOKTOPS

WHC633BD, WHC643BD,
WHC933BD, WHC943BD

CONGRATULATIONS

Dear customer,

Congratulations on the purchase of your new cooktop.

Before you use the cooktop, we recommend that you read through the whole user manual which provides the description of the cooktop and its functions.

To avoid the risks that are always present when you use an electrical appliance, it is important that the cooktop is installed correctly and that you read the safety instructions carefully to avoid misuse and hazards.

We recommend that you keep this instruction booklet for future reference and pass it on to any future owners.

After unpacking the appliance, please check it is not damaged. If in doubt, do not use the appliance but contact your local Customer Care Centre.

For contact details, refer to the last page of this user manual. This appliance complies with requirements of Australian Standard AS/NZS 60335.1 and AS/NZS 60335.2.6.

Conditions of use

This appliance is intended to be used in household and similar applications such as:

- Staff kitchen areas in shops, offices and other working environments
- Farm houses
- By clients in hotels, motels and other residential type environments
- Bed and breakfast type environments

Please ensure you read the instruction manual fully before you call for service, or a full service fee could be applicable.

Record model and serial number here:

Record model and serial number here:

Model number:.....

Serial number:.....

PNC:.....

CONTENTS

Important safety instructions.....	3
Product description	4
Operating instructions.....	8
Helpful hints and tips	12
Care and cleaning	13
Troubleshooting.....	14
Technical data.....	15
Environment concerns.....	15
Installation instructions	16
Assembly.....	17
Warranty.....	19

Please read the user manual carefully and store in a handy place for later reference.

The symbols you will see in this booklet have these meanings:



WARNING

This symbol indicates information concerning your personal safety.



CAUTION

This symbol indicates information on how to avoid damaging the appliance.



IMPORTANT

This symbol indicates tips and information about use of the appliance.



ENVIRONMENT

This symbol indicates tips and information about economical and ecological use of the appliance.

IMPORTANT INFORMATION THAT MAY IMPACT YOUR MANUFACTURER'S WARRANTY

Adherence to the directions for use in this manual is extremely important for health and safety. Failure to strictly adhere to the requirements in this manual may result in personal injury, property damage and affect your ability to make a claim under the Westinghouse manufacturer's warranty provided with your product. Products must be used, installed and operated in accordance with this manual. You may not be able to claim on the Westinghouse manufacturer's warranty in the event that your product fault is due to failure to adhere to this manual.

IMPORTANT SAFETY INSTRUCTIONS



WARNING

Please comply with these instructions. If you do not, any damage resulting is not covered by the warranty.

General safety

- This appliance is not intended for use by persons (including children) with reduced physical, sensory or mental capabilities, or lack of experience and knowledge, unless they have been given supervision or instruction concerning use of the appliance by a person responsible for their safety.
- Do not leave the appliance unattended during operation.
- This appliance should be used only for normal domestic cooking and frying of food.
- The appliance must not be used as a work surface or as a storage surface.
- Additions or modifications to the appliance are not permitted.
- Do not place or store flammable liquids, highly inflammable materials or fusible objects (e.g. plastic film, plastic, aluminium) on or near the appliance.

Children's safety

- The cooking zones will become hot when you cook. Therefore, always keep small children away from the appliance.
- The appliance is not intended for use by young children or infirm persons without supervision.
- Children should be supervised to ensure that they do not play with the appliance.



WARNING

Accessible parts will become hot during use. To avoid burns young children should be kept away

Correct operation

- Always monitor the appliance during operation. Do not use an external timer or a separated remote control system to operate the appliance.
- Only use the appliance for domestic cooking tasks.
- Do not use the appliance as a work or a storage surface.
- Do not put or keep very flammable liquids and materials, or fusible objects (made of plastic or aluminium) on or near the appliance.
- Other than the connection point in the terminal block, do not let the electrical supply cord touch the appliance or hot cookware. Ensure electrical supply cord is not tangled.

General safety

- The appliance may only be installed and connected by trained, registered service engineers.
- Built-in appliances may only be used after they have been built into suitable built-in units and work surfaces that meet standards.
- In the event of faults with the appliance or damage to the glass ceramic (cracks, scratches or splits), the appliance must be switched off and disconnected from the electrical supply, to prevent the possibility of an electric shock.
- Repairs to the appliance must only be carried out by trained registered service engineers.

Safety during use

- Remove stickers and film from the glass ceramic.
- There is the risk of burns from the appliance if used carelessly.
- Cables from electrical appliances must not touch the hot surface of the appliance or hot cookware.
- Overheated fats and oils can ignite very quickly. Warning! Fire hazard!
- Switch the cooking zones off after each use.



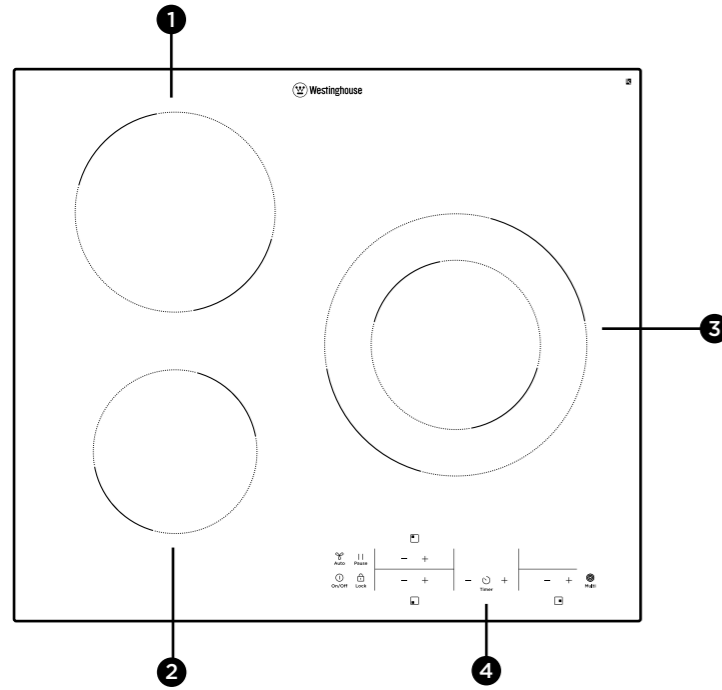
WARNING

If the surface is cracked, switch off the appliance to avoid possibility of electric shock.

PRODUCT DESCRIPTION

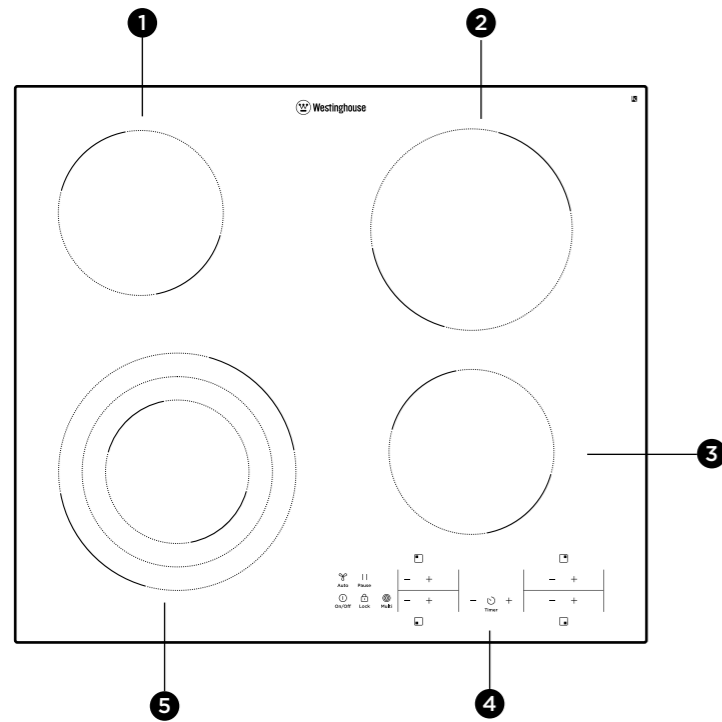
Cooking surface layout

WHC633BD



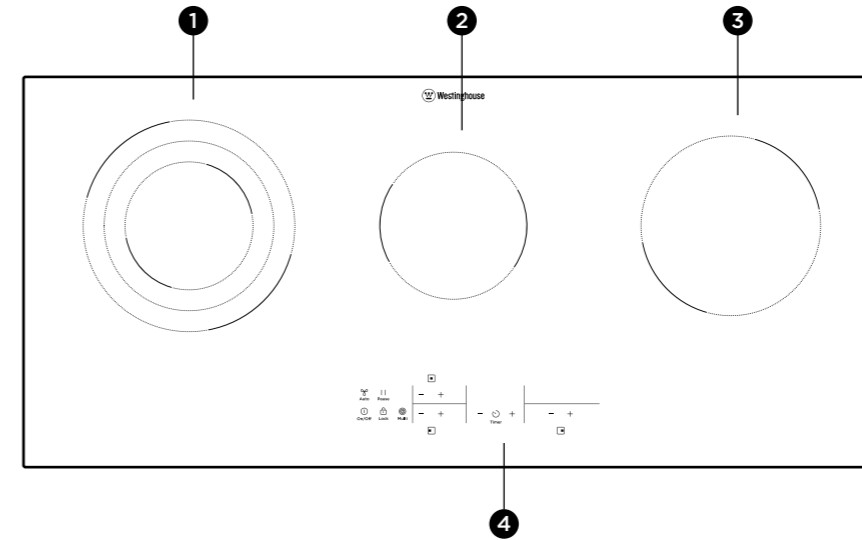
- ❶ Single cooking zone 1800W
- ❷ Single cooking zone 1200W
- ❸ Multi cooking zone 1600/3000W
- ❹ Control panel

WHC643BD



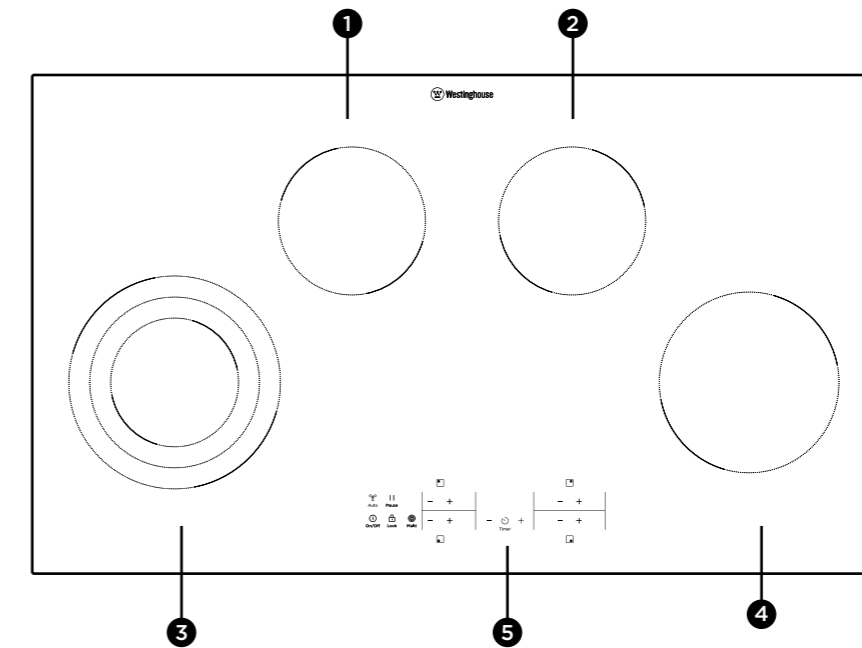
- ❶ Single cooking zone 1200W
- ❷ Single cooking zone 1800W
- ❸ Single cooking zone 1200W
- ❹ Control panel
- ❺ Multi cooking zone 800/1600/2300W

WHC933BD



- ❶ Multi cooking zone 800/1600/2300W
- ❷ Single cooking zone 1200W
- ❸ Single cooking zone 1800W
- ❹ Control panel

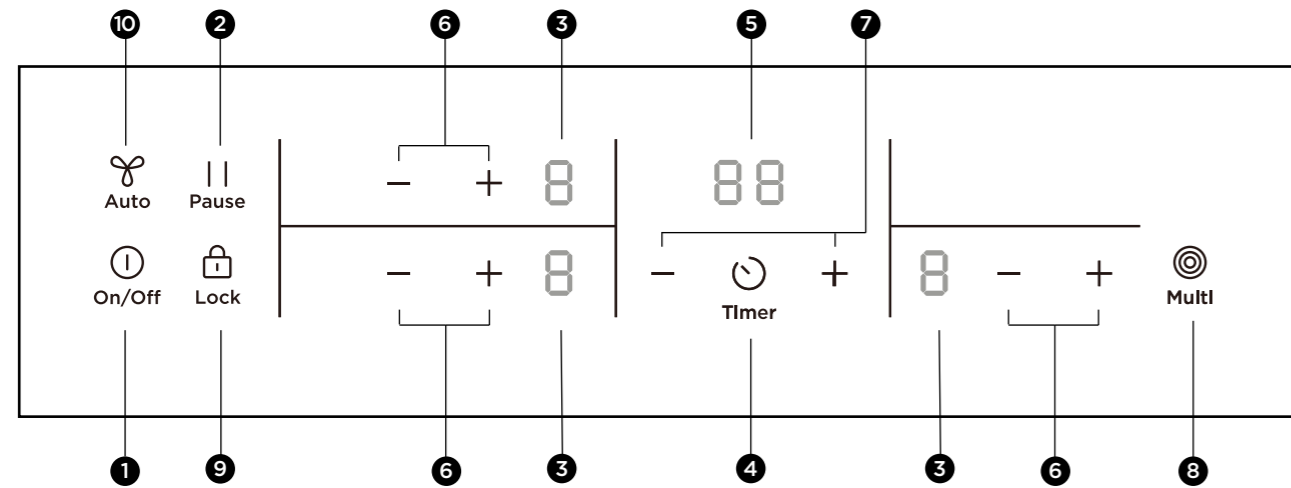
WHC943BD



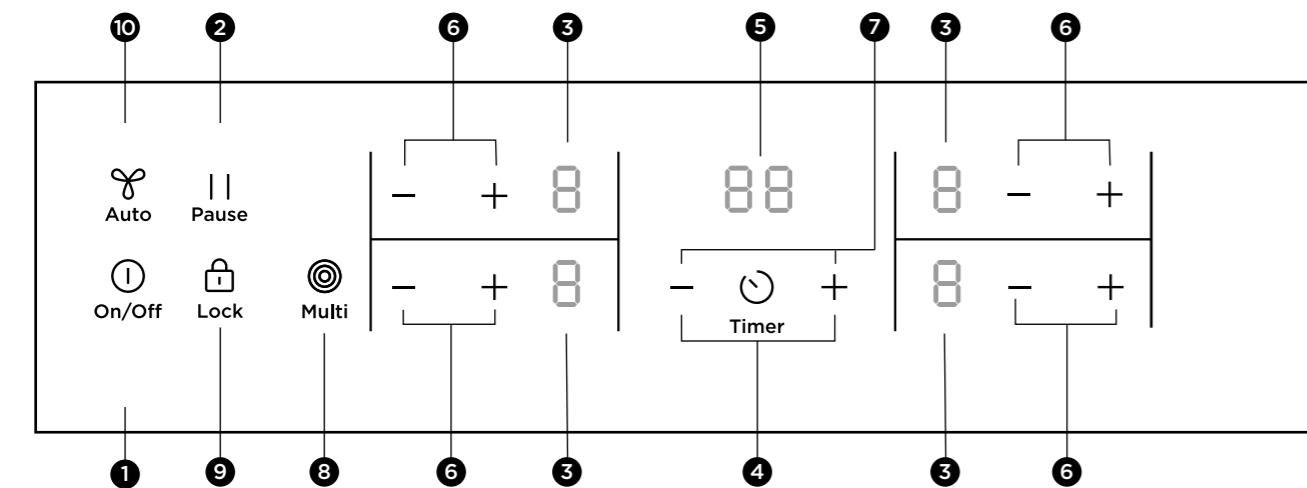
- ❶ Single cooking zone 1200W
- ❷ Single cooking zone 1200W
- ❸ Multi cooking zone 800/1600/2300W
- ❹ Single cooking zone 1800W
- ❺ Control panel

PRODUCT DESCRIPTION (CONTINUED)

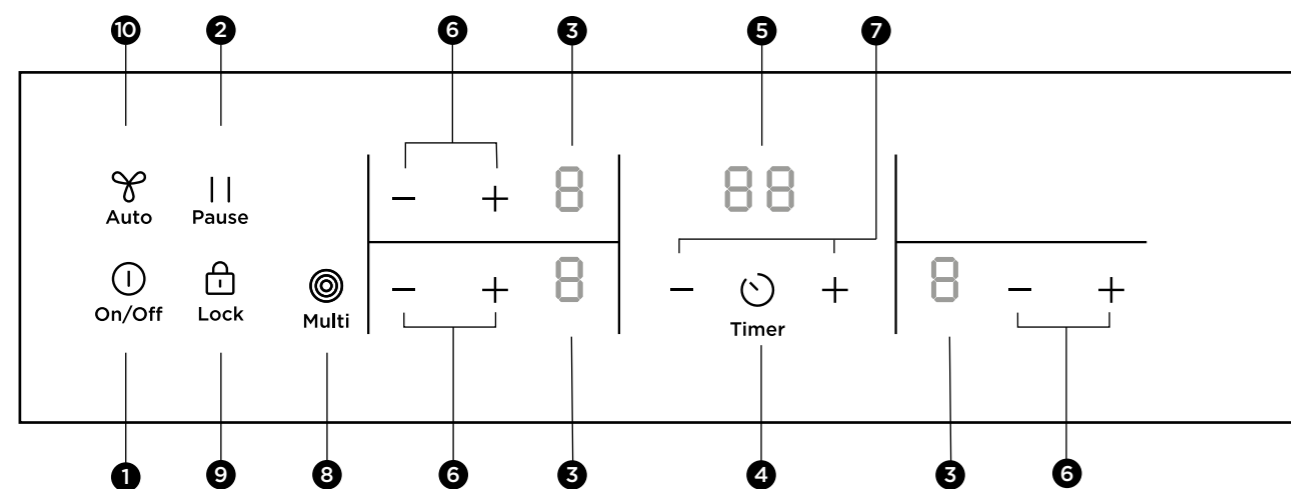
Control panel layout - WHC633BD



Control panel layout - WHC643BD & WHC943BD



Control panel layout - WHC933BD



Use the sensor fields to operate the appliance. The displays, indicators and sounds tell which functions operate.

	SENSOR FIELD	FUNCTION
1	⏻ ON/OFF	It activates and deactivates the appliance
2	⏸ PAUSE	Sets all operating zones to a keep warm setting
3	A heat setting display	It shows the heat setting
4	🕒 Timer	It selects the cooking zone
5	The timer display	It shows the time in minutes
6	−/+	It increases or decreases the heat setting
7	−/+	It increases or decreases the time
8	🎯 Multi	It activates the outer rings on the multi zone element
9	🔒 LOCK	It locks/unlocks the control panel
10	🌀 Auto	To activate and deactivate the H ₂ H function

Heat setting displays

DISPLAY	DESCRIPTION
0	The cooking zone is deactivated.
U	The Keep Warm function operates.
1 - 9	The cooking zone operates.
R	The Automatic Heat-up function operates.
E	There is a malfunction.
≡ / = / _	A cooking zone is still hot (residual heat).
L	The Lock/Child Safety device operates.
-	The Automatic Switch-Off operates.

OptiHeat control (3 step residual heat indicator)



WARNING

≡ / = / _ Risk of burns from residual heat!

OptiHeat Control shows the level of the residual heat. The induction cooking zones make the heat necessary for cooking directly in the bottom of the cookware. The glass ceramic is hot from the heat of the cookware.

OPERATING INSTRUCTIONS

Activation and deactivation

Touch **ON/OFF** for 1 second to activate or deactivate the appliance.

i IMPORTANT

After switching on, within approx. 10 seconds a heat setting or a function must be set, otherwise the appliance automatically switches itself off.

Setting the heat setting

	CONTROL PANEL	INDICATOR
To increase	Touch +	to
To decrease	Touch -	to
To switch off*	Touch + and - at the same time	

i IMPORTANT

The keep warm setting lies between and . It is used to keep food warm.

Switching the outside ring on and off

By switching the outside rings on or off, the effective heating surface can be matched to the size of the cookware.

TRIPLE COOKING ZONE	SENSOR PANEL	POWER INDICATOR
To switch on the middle ring	Touch for 1-2 seconds	One power indicator is lit
To switch on the outside ring	Touch for 1-2 seconds	Two power indicators are lit
To switch off the outside ring	Touch for 1-2 seconds	The second power indicator goes out
To switch off the middle ring	Touch for 1-2 seconds	The first power indicator goes out

i IMPORTANT

Before an outside ring can be switched on, the inside ring must be switched on.

Locking/unlocking the control panel

The control panel, with the exception of the "On/Off" sensor field, can be locked at any time in order to prevent the settings being changed e.g. by wiping over the panel with a cloth.

	CONTROL PANEL	DISPLAY
Switch on	Touch	(for 5 seconds)
Switch off	Touch	the previously set heat setting

i IMPORTANT

When you switch the appliance off, the locking function is automatically switched off.

Using the automatic warm-up function

All cooking zones are equipped with an automatic warm up function. When setting a heat setting using **+**, when starting from , the cooking zone switches to full power for a certain amount of time and then automatically switches back to the heat setting set.

	CONTROL PANEL	DISPLAY	PILOT LIGHT
Switch on (only when starting at)	Touch +	to	(after 5 seconds)
Switch off	Touch -	to /	to
Not used	Touch -	to	to

i IMPORTANT

If during the automatic warm up a higher heat setting is selected, e.g. from to , the automatic warm up is adjusted.

HEAT SETTING	LENGTH OF THE AUTOMATIC WARM UP (MIN:SEC)
	0:30
	1:00
	1:40
	4:50
	6:30
	10:10
	2:00
	3:30
	4:30

The child safety device

The child safety device prevents unintentional use of the appliance.

Switching on the child safety device:

- Start the hob with . Do not set the heat settings.
- Touch for 4 seconds. The symbol comes on.
- The child safety device is switched on.

Switching off the child safety device:

- Start the hob with . Do not set the heat settings. Touch for 4 seconds. The symbol comes on.
- Stop the hob with .
- The child safety device is switched off.

i IMPORTANT

The child safety device can only be switched on and off, if no heat setting is set.

Overriding the child safety device:

The child safety device can be switched off in this way for a single cooking session; it remains activated afterwards.

- Start the hob with . The symbol comes on.
- Touch for 4 seconds. The symbol comes on.

Until the appliance is next switched off, it can be used as normal. After switching off the appliance, the child safety device is active again.

i IMPORTANT

After overriding the child safety device, a heat setting or a function must be set within approx. 10 seconds, otherwise the appliance automatically switches itself off.





OPERATING INSTRUCTIONS (CONTINUED)

Using the timer

FUNCTION	CONDITION	OUTCOME AFTER THE TIME HAS ELAPSED
Automatic cut-out	A heat setting is set	Acoustic signal 00 flashes Cooking zone switches off
Countdown timer	Cooking zones not in use	Acoustic signal 00 flashes

i IMPORTANT

If a heat setting is set on this cooking zone in addition to a countdown timer, the cooking zone is switched off after the time set has elapsed.

STEP	CONTROL PANEL	DISPLAY
1	Touch  once	Pilot light of the first cooking zone flashes .00
2	Touch  once	Pilot light of the second cooking zone flashes •00
3	Touch  once	Pilot light of the third cooking zone flashes 00• (only for WHC643BD / WHI943BD)
4	Touch  once	Pilot light of the fourth cooking zone flashes (if applicable) 00.

i IMPORTANT

If a cooking zone is switched off, the timer function set is also switched off.


i IMPORTANT

If the pilot light is flashing more slowly, the heat setting can be set or modified.

i IMPORTANT


If other timer functions are set, after a few seconds the shortest remaining time of all the timer functions is displayed and the corresponding pilot light flashes.

Setting the time

STEP	CONTROL PANEL	INDICATOR
1	Select  cooking zone	Pilot light for the cooking zone selected flashes
2	Touch + or -	00 to 99 minutes


After a few seconds the pilot light flashes more slowly. The time is set. The time counts down.

Switching off the timer function

STEP	CONTROL PANEL	INDICATOR
1	Select  cooking zone	Pilot light for the cooking zone selected flashes
2	Touch -	The time remaining counts backwards to 00


After a few seconds the pilot light flashes more slowly. The time is set. The time counts down.

Changing the time


STEP	CONTROL PANEL	INDICATOR
1	Select  cooking zone	Pilot light of the selected cooking zone flashes faster. Time remaining is displayed
2	Touch + or -	01 to 99 minutes

After a few seconds the pilot light flashes more slowly. The time is set. The time counts down.

Displaying the time remaining for a cooking zone

CONTROL PANEL FIELD	DISPLAY
Select  cooking zone	Pilot light of the cooking zone selected flashes faster The time remaining is displayed
	After a few seconds the pilot light flashes more slowly.

Switching off the acoustic signal

CONTROL PANEL FIELD	DISPLAY
Touch 	The acoustic signal to acknowledge.
	The acoustic signal stops.

Automatic switch off



Cooking surface


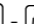

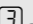

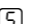


- If after switching on the cooking surface, a heat setting is not set for a cooking zone within approx. 10 seconds, the cooking surface automatically switches itself off.
- If one or more sensor fields are covered by objects (a pan, cloths, etc.) for longer than approx. 10 seconds, a signal sounds and the cooking surface switches off automatically.
- If all cooking zones are switched off, the cooking surface automatically switches it- self off after approx. 10 seconds.

Control panel

When the appliance is switched off, if one or more of the sensor fields on the control panel are covered for more than 10 seconds, an acoustic signal sounds. The acoustic signal switches itself off automatically when the sensor fields are no longer covered.

Cooking zones

If one of the cooking zones is not switched off after a certain time, or if the heat setting is not modified, the relevant cooking zone switches off automatically.  is displayed. Before being used again, the cooking zone must be set to .

HEAT SETTING	SWITCHES OFF AFTER
 ,  - 	6 hours
 - 	5 hours
	4 hours
 - 	1.5 hours

Hob²Hood

This is an advanced automatic function which connects the hob to a special hood. Both the hob and the hood have an infra-red signal communicator. Speed of the fan is defined automatically on basis of mode setting and temperature of the hottest cookware on the hob. You can also operate the fan from the hob manually.

i IMPORTANT

For most of the hoods the remote system is originally deactivated. Activate it before you use the function. For more information refer to hood user manual.

Operating the function automatically

The default automatic mode from the factory is H5. You can change the automatic mode by following the instructions below. When you activate the hob the hood will adjust the fan speed automatically. Please note the below table is a guide, the fan speed varies depending on the temperature measured on the cooking zones of the cooktop which can be affected by the heat setting(s) selected as well as the size and volume of what you are cooking.

i IMPORTANT

The light on the hood deactivates 2 minutes after deactivating the hob.

Activating the light

You can set the hob to activate the light automatically whenever you activate the hob. To do so set the automatic mode to H1 - H6.

i IMPORTANT

The light on the hood deactivates 2 minutes after deactivating the hob.

HELPFUL HINTS AND TIPS

	AUTOMATIC LIGHT	BOILING	FRYING
Mode H0	Off	Off	Off
Mode H1	On	Off	Off
Mode H2	On	Fan speed 1	Fan speed 1
Mode H3	On	Off	Fan speed 1
Mode H4	On	Fan speed 1	Fan speed 1
Mode H5	On	Fan speed 1	Fan speed 2
Mode H6	On	Fan speed 2	Fan speed 3

i IMPORTANT

To activate automatic operation of the function, deactivate the hob and activate it again.

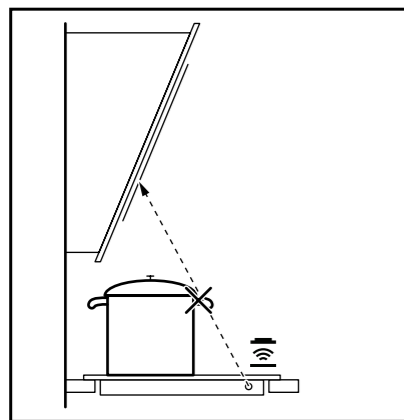
Activating the light

You can set the hob to activate the light automatically whenever you activate the hob. To do so set the automatic mode to H1 - H6.

Hints and Tips for Hob2Hood function

When you operate the hob with Hob2Hood function:

- Protect the hood panel from direct sunlight.
- Do not spot halogen light on the hood panel.
- Do not cover the hob panel.
- Do not interrupt the signal between the hob and the hood (for example with a hand or a cookware handle). (Hood in the picture is only an example).



1. The hob detects the boiling process and activates fan speed in accordance with automatic mode.
2. The hob detects the frying process and activates fan speed in accordance with automatic mode.
3. This mode activates the fan and the light and does not rely on the temperature.

Changing the automatic mode

1. Deactivate the appliance.
2. Touch **1** for 3 seconds. The display comes on and goes off
3. Touch **1** for 3 seconds.
4. Touch **1** a few times until **1** comes on.
5. Touch **+** of the Timer to select an automatic mode.

i IMPORTANT

To operate the hood directly on the hood panel deactivate the automatic mode of the function.

When you finish cooking and deactivate the hob, the hood fan may still operate for a certain period of time. After that time the system deactivates the fan automatically and prevents you from accidental activation of the fan for the next 30 seconds.

Operating the fan speed manually

You can also operate the function manually. To do that touch **Auto** when the hob is active. This deactivates automatic operation of the function and allows you to change the fan speed manually. When you press you raise the fan speed by one. When you reach an **Auto** intensive level and press **Auto** again you will set fan speed to 0 which deactivates the hood fan. To start the fan again with fan speed 1 touch **Auto**.

i IMPORTANT

It may happen that other remote controlled appliances may block the signal. To avoid it do not operate the remote of the appliance and the hob at the same time.

Rangehoods with the Hob²Hood function

To find the full range of rangehoods which work with this function refer to our consumer website. The Westinghouse rangehoods that work with this function must have the symbol **Auto**.

CARE AND CLEANING

Ceramic Cooktop Cleaning

i IMPORTANT

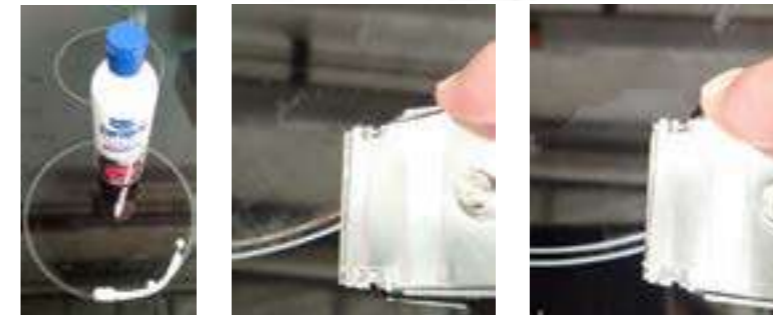
Sometimes SURFACE stains appear to be a "bubble" mark under the ceramic glass. These can be cleaned off with a razor blade scraper and ceramic cleaner.

Keeping the ceramic cooktop clean and protected will keep it in good condition and help avoid breakage.

Ceramic Scraper
0383001001

Cerapol Cleaner
ACC019

Ceraseal Protector
ACC018



Marks which appear to be bubbles under the ceramic will also clean off.



Use Ceraseal (ACC018) to help protect the ceramic and allow for easier cleaning. Polish on with a dry clean cloth.



- If the deposit is minimal, simply wipe off with a dry cloth.
- If the deposit is more stubborn, clean off with a moist soapy sponge then rinse off.
- If the deposit still does not clean off easily, use a non-abrasive nylon scratch pad and special purpose ceramic glass cleaning agent such as Cerapol cleaner (ACC019 - Available from our web shop).
- If the deposits are still burnt on and above methods did not work, use a specially designed ceramic glass scraper (0383001001 - Available from our web shop).

After having successfully cleaned the cooktop, apply a ceramic glass conditioner Ceraseal protector (ACC018 - Available from our web shop). The conditioner will leave a protective coating that will help prevent future stains from becoming baked on. Marks which appear to be bubbles under the ceramic will also clean off. Use Ceraseal (ACC018) to help protect the ceramic and allow for easier cleaning. Polish on with a dry clean cloth.

Available at the following web shops.
<https://shop.westinghouse.com.au>

TROUBLESHOOTING

PROBLEM	POSSIBLE CAUSE	REMEDY
Red rings, limescale or water rings, shiny metallic or other discolouration, scratches/shadows, bubbles or other miscellaneous marks or stains on ceramic glass cooktop surface.	<ul style="list-style-type: none"> Cooktop surface has not been cleaned correctly. Cleaning/ maintenance of the cooktop surface is not covered under warranty. If a service call is placed to clean the cooktop you will be charged for the visit. 	<ul style="list-style-type: none"> Use a ceramic glass cleaner such as Cerapol.
Pitting of ceramic glass surface.	<ul style="list-style-type: none"> Spillovers of liquid with high sugar content. 	<ul style="list-style-type: none"> These types of spills must be removed immediately with a special scraper for the glass. If not permanent damage to the cooktop glass can occur which is not covered under warranty.
The cooking zones will not switch on or are not functioning.	<ul style="list-style-type: none"> More than 10 seconds have passed since the appliance was switched on. The child safety device is switched on . Several sensor fields were touched at the same time. Automatic switch off has been triggered. The lock is switched on . 	<ul style="list-style-type: none"> Switch the appliance on again. Deactivate the child safety device (See the section "Child safety device"). Only touch one sensor field. Remove any objects (pan, cloths, etc.) that are lying on the control panel. Switch the appliance on again. Switch off the lock (See the section "Locking/unlocking the control panel").
Acoustic signal sounds when appliance is switched off.	<ul style="list-style-type: none"> The control panel is wholly or partly covered by objects. 	<ul style="list-style-type: none"> Remove objects.
The residual heat indicator is not displaying anything.	<ul style="list-style-type: none"> The cooking zone was only on for a short time and is therefore not hot. 	<ul style="list-style-type: none"> If the cooking zone is supposed to be hot, call the Customer Service Department.
The automatic warm up function is not switching itself on.	<ul style="list-style-type: none"> There is still residual heat on the cooking zone  /  / . 	<ul style="list-style-type: none"> Let the cooking zone cool down.
	<ul style="list-style-type: none"> The highest heat setting is set . 	<ul style="list-style-type: none"> The highest heat setting has the same power as the automatic warm up function.
	<ul style="list-style-type: none"> The heat setting was set using the sensor field . 	<ol style="list-style-type: none"> Switch off the cooking zone Set the cooking zone using the sensor field .
Acoustic signal sounds and appliance switches itself on and then off again; after 5 seconds another acoustic signal sounds.  is lit.	<ul style="list-style-type: none"> The On/Off sensor field has been covered up, e.g. by a cloth. Overheating protection for the cooking zone has been triggered. Automatic switch off has been triggered. 	<ul style="list-style-type: none"> Do not place any objects on the control panel. Switch off the cooking zone. Switch the cooking zone on again. Switch off the cooking zone. Switch the cooking zone on again.
 and number are displayed.	<ul style="list-style-type: none"> Electronics fault. 	<ul style="list-style-type: none"> Disconnect the appliance from the electrical supply for a few minutes (Take the fuse out of the house's wiring system) If after switching on again,  is displayed again, call the customer service department.

If you are unable to remedy the problem by following the above suggestions, please contact your dealer or the Customer Care Department.

WARNING

Repairs to the appliance are only to be carried out by qualified service engineers. Considerable danger to the user may result from improper repairs.

IMPORTANT


If the appliance has been wrongly operated, the visit from the customer service technician or dealer may not take place free of charge, even during the warranty period.

TECHNICAL DATA

MODEL	WHC633BD	WHC643BD	WHC933BD	WHC943BD
PNC	949 163 522	949 163 523	949 163 524	949 163 525
Product dimensions (d x w) mm	520 x 590	520 x 590	410 x 900	520 x 900
Cut-out dimensions (d x w) mm	490 x 560	490 x 560	360 x 825	490 x 880
Voltage (volts)	230-240	230-240	230-240	230-240
Frequency (Hz)	50-60	50-60	50-60	50-60
Total power (Watts)	5900	6500	5300	6500
Elements (Watts)	3	4	3	4
Front Left	1200	800/1600/2300	800/1600/2300	800/1600/2300
Rear Left	1800	1200	1800	1200
Front Right	1600/3000	1200	N/A	1800
Rear Right	N/A	1800	N/A	1200
Centre	N/A	N/A	1200	N/A

ENVIRONMENT

Disposal

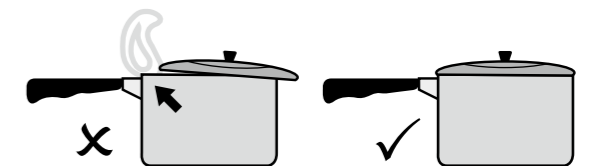
The symbol  on the product or on its packaging indicates that this product may not be treated as household waste. Instead it should be taken to the appropriate collection point for the recycling of electrical and electronic equipment. By ensuring this product is disposed of correctly, you will help prevent potential negative consequences for the environment and human health, which could otherwise be caused by inappropriate waste handling of this product. For more detailed information about recycling of this product, please contact your local council, your household waste disposal service or the shop where you purchased the product.

Packaging material

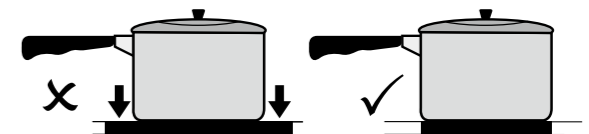
The packaging materials are friendly to the environment and can be recycled. The plastic components are identified by marking: >PE<, >PS<, etc. Discard the packaging materials as household waste at the waste disposal facilities in your municipality.

Energy saving

- Always place cookware on the cooking zone before it is switched on.
- Switch cooking zones off before the end of the cooking time, to take advantage of residual heat.
- If possible, always place lids on the pans.



- Bottom of pans and cooking zones should be the same size.



INSTALLATION INSTRUCTIONS

WARNING

This must be read! The laws, ordinances, directives and standards in force in the country of use are to be followed (safety regulations, proper recycling in accordance with the regulations, etc.)

IMPORTANT

Installation may only be carried out by a qualified electrician. The minimum distances to other appliances and units are to be observed.

Anti-shock protection must be provided by the installation, for example drawers may only be installed with a protective floor directly underneath the appliance.

The cut surfaces of the worktop are to be protected against moisture using a suitable sealant. The sealant seals the appliance to the work top with no gap. Do not use silicon sealant between the appliance and the work top. Avoid installing the appliance next to doors and under windows. Otherwise hot cookware may be knocked off the rings when doors and windows are opened.

WARNING

Risk of injury from electrical current.

- The electrical mains terminal is live.
- Make electrical mains terminal free of voltage.
- Follow connection schematic.
- Observe electrical safety rules.
- Ensure anti-shock protection by installing correctly.
- The appliance must be connected to the electrical supply by a qualified electrician.
- Loose and inappropriate plug and socket connections can make the terminal overheat.
- Have the clamping connections correctly installed by a qualified electrician.
- Use strain relief clamp on cable.

WARNING

The surface temperature exceeds 95°C. To avoid a hazard, underbench access must be restricted.

Electrical Connection

Before connecting, check that the nominal voltage of the appliance, that is the voltage stated on the rating plate, corresponds to the available supply voltage. Also check the power rating of the appliance and ensure that the wire is suitably sized in accordance with AS/NZS 3000 wiring rules to suit the appliance power rating. The rating plate is located on the lower casing of the hob. Means for disconnection must be incorporated in the fixed wiring in accordance with AS/NZS 3000 wiring rules. The hob is to be connected to the mains using a device that allows the appliance to be disconnected from the mains at all poles with a contact opening width of at least 3 mm, eg.

automatic line protecting cut-out, earth leakage trips or fuse. If this appliance's mains cable is damaged, it must be replaced by a special cable (type H05RR-F Tmax 90°C; or higher). The connection must be carried out as shown in the diagram. The connecting links should be fitted according to the appropriate connection diagram. The earth lead is connected to terminal. The earth lead must be longer than leads carrying electric current. **The cable connections must be made in accordance with regulations and the terminal screws tightened securely.** Finally, the connecting cable is to be secured with the mains cable cleat and the covering closed by pressing firmly (lock into place). Before switching on for the first time, any protective foil or stickers must be removed from the glass ceramic surface.

Connection cable

- Use the correct mains cable of type H05RR-F Tmax 90°C (or higher) for a single phase or two phase connection.
- Replace the damaged mains cable with a special cable (type H05RR-F Tmax 90°C or higher) 3 x 2.5mm² with an all-pole 25A breaker. For WHC633BD & WHC933BD. And 3X4mm² with an all-pole 32A breaker for WHC643BD & WHC943BD. Speak to your local Service Centre.
- The earth cord (green/yellow cable) must be 2cm longer than phase and neutral cable (blue and brown cables).
- The cable conditions must be in accordance with regulations and the terminal screws tightened securely.
- The connecting cable is to be secured with the mains cable cleat and the covering closed by pressing firmly (lock into place).
- Before switching on for the first time, any protective foil or stickers must be removed from the glass ceramic surface.

WARNING

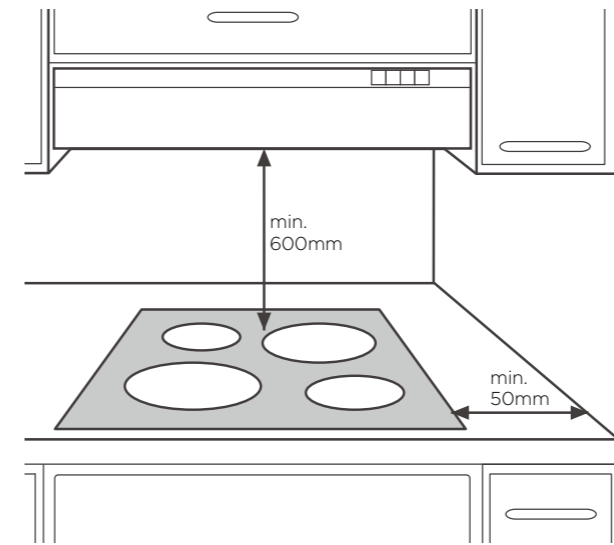
Once connected to the mains supply check that all cooking zones are ready for use by briefly switching each on in turn at the maximum setting.

- A duplicate rating label is supplied with this unit. For easy identification of this unit after installation, stick it to a readily available surface adjacent to the cooktop.

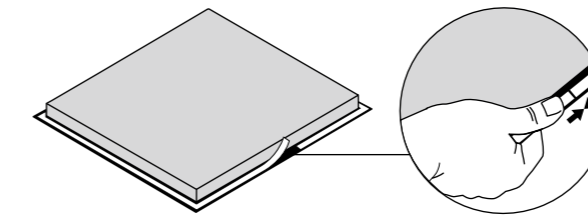
Sticking on the seal

- Clean the worktop around the cutout area.
- Stick the single-sided adhesive sealing tape provided on the underside of the hob around the outside edge ensuring that it is not stretched. The two ends of the tape should join in the middle of one side. After trimming the tape (allow it to overlap by 2-3 mm), press the two ends together.

ASSEMBLY



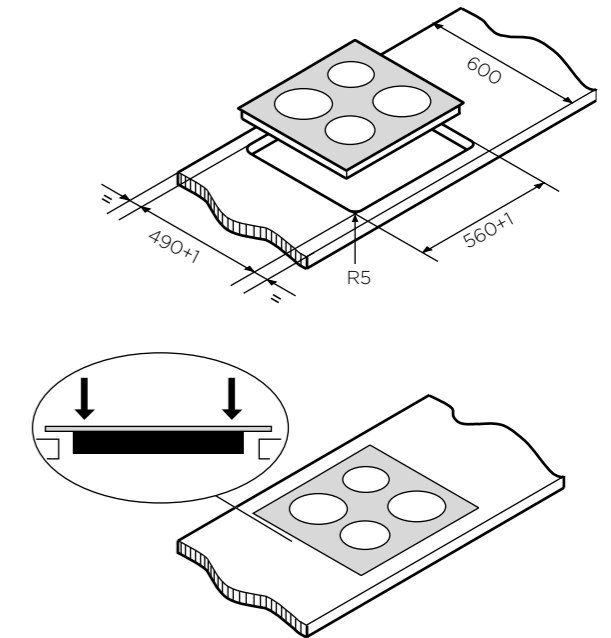
NOTE: The clearance must meet or exceed the minimum recommended for both the rangehood and cooktop. Refer to the rangehood installation manual.



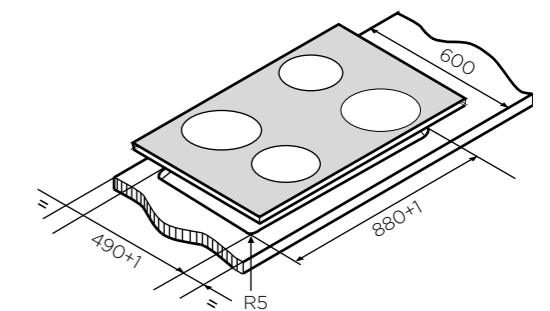
WARNING

Surface temperatures of base exceed 95°C, under bench access must be restricted by use of non-combustible barrier on installation

WHC633BD & WHC643BD

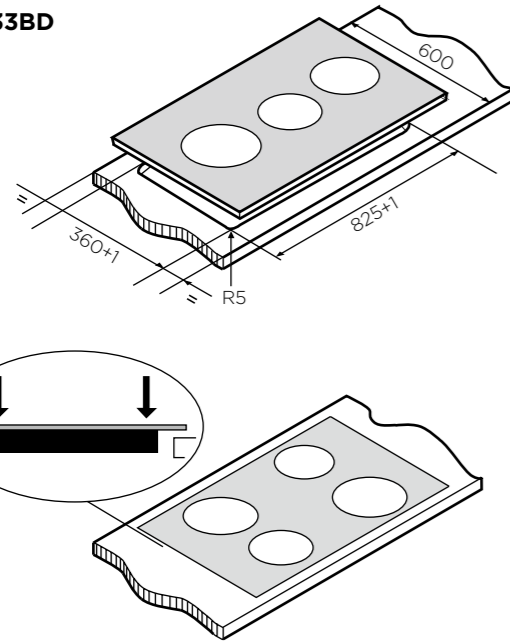


WHC943BD



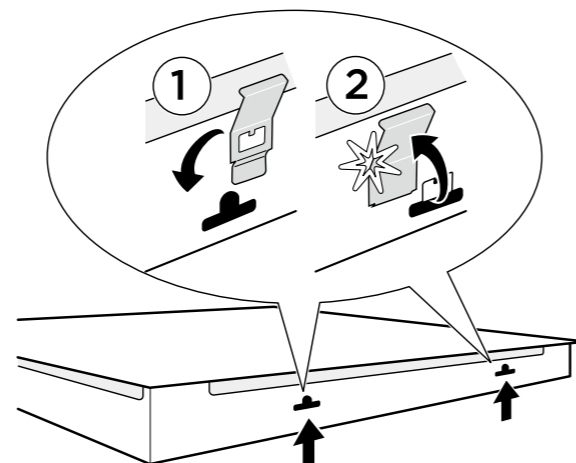
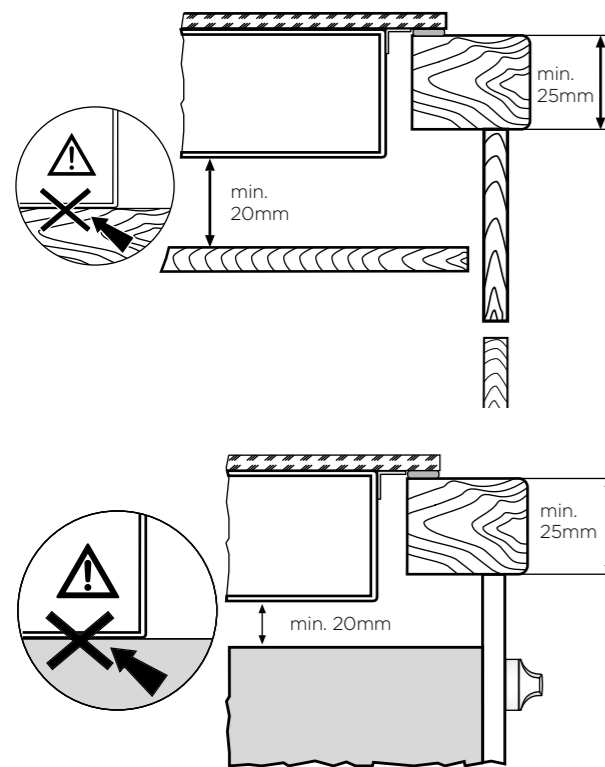
ASSEMBLY (CONTINUED)

WHC933BD



i IMPORTANT

It is recommended to centre the bench cutout with equal distance front and back as shown but the product has also been certified to be installed with no clearance between the rear edge of the cooktop glass and rear wall if required. In doing so, installers still need to leave sufficient clearance to take into account that the glass dimensions are larger than the cut out.



This document sets out the terms and conditions of the product warranties for Westinghouse Appliances. It is an important document. Please keep it with your proof of purchase documents in a safe place for future reference should there be a manufacturing defect in your Appliance. This warranty is in addition to other rights you may have under the Australian Consumer Law.

1. In this warranty:

- (a) 'ACL' or 'Australian Consumer Law' means Schedule 2 to the Competition and Consumer Act 2010;
- (b) 'Appliance' means any Electrolux product purchased by you and accompanied by this document;
- (c) 'ASC' means Electrolux's authorised serviced centres;
- (d) 'Westinghouse' is the brand controlled by Electrolux Home Products Pty Ltd of 163 O'Riordan Street, Mascot NSW 2020, ABN 51 004 762 341 in respect of Appliances purchased in Australia and Electrolux (NZ) Limited (collectively "Electrolux") of 3-5 Niall Burgess Road, Mount Wellington, in respect of Appliances purchased in New Zealand;
- (e) 'Warranty Period' means the period specified in clause 3 of this warranty;
- (f) 'you' means the purchaser of the Appliance not having purchased the Appliance for re-sale, and 'your' has a corresponding meaning.

2. Application: This warranty only applies to new Appliances, purchased and used in Australia or New Zealand and is in addition to (and does not exclude, restrict, or modify in any way) other rights and remedies under a law to which the Appliances or services relate, including any non-excludable statutory guarantees in Australia and New Zealand.

3. Warranty Period: Subject to these terms and conditions, this warranty continues in Australia for a period of 24 months and in New Zealand for a period of 24 months, following the date of original purchase of the Appliance.

4. Repair or replace warranty: During the Warranty Period, Electrolux or its ASC will, at no extra charge if your Appliance is readily accessible for service, without special equipment and subject to these terms and conditions, repair or replace any parts which it considers to be defective. Electrolux may, in its absolute discretion, choose whether the remedy offered for a valid warranty claim is repair or replacement. Electrolux or its ASC may use refurbished parts to repair your Appliance. You agree that any replaced Appliances or parts become the property of Electrolux.

5. Travel and transportation costs: Subject to clause 7, Electrolux will bear the reasonable cost of transportation, travel and delivery of the Appliance to and from Electrolux or its ASC. Travel and transportation will be arranged by Electrolux as part of any valid warranty claim.

6. Proof of purchase is required before you can make a claim under this warranty.

7. Exclusions: You may not make a claim under this warranty unless the defect claimed is due to faulty or defective parts or workmanship. This warranty does not cover:

- (a) light globes, batteries, filters or similar perishable parts;
- (b) parts and Appliances not supplied by Electrolux;
- (c) cosmetic damage which does not affect the operation of the Appliance;

- (d) damage to the Appliance caused by:
 - (i) negligence or accident;
 - (ii) misuse or abuse, including failure to properly maintain or service;
 - (iii) improper, negligent or faulty servicing or repair works done by anyone other than an Electrolux authorised repairer or ASC;
 - (iv) normal wear and tear;
 - (v) power surges, electrical storm damage or incorrect power supply;
 - (vi) incomplete or improper installation;
 - (vii) incorrect, improper or inappropriate operation;
 - (viii) insect or vermin infestation;
 - (ix) failure to comply with any additional instructions supplied with the Appliance;

In addition, Electrolux is not liable under this warranty if:

- (a) the Appliance has been, or Electrolux reasonably believes that the Appliance has been, used for purposes other than those for which the Appliance was intended, including where the Appliance has been used for any non-domestic purpose;
- (b) the Appliance is modified without authority from Electrolux in writing;
- (c) the Appliance's serial number or warranty seal has been removed or defaced

8. How to claim under this warranty: To enquire about claiming under this warranty, please follow these steps:

- (a) carefully check the operating instructions, user manual and the terms of this warranty;
- (b) have the model and serial number of the Appliance available;
- (c) have the proof of purchase (e.g. an invoice) available;
- (d) telephone the numbers shown below.

9. Australia: For Appliances and services provided by Electrolux in Australia: Electrolux goods come with guarantees that cannot be excluded under the Australian Consumer Law. You are entitled to a replacement or refund for a major failure and for compensation for any other reasonably foreseeable loss or damage. You are also entitled to have the Appliance repaired or replaced if the Appliance fails to be of acceptable quality and the failure does not amount to a major failure. 'Acceptable quality' and 'major failure' have the same meaning as referred to in the ACL.

10. New Zealand: For Appliances and services provided by Electrolux in New Zealand, the Appliances come with a guarantee by Electrolux pursuant to the provisions of the Consumer Guarantees Act, the Sale of Goods Act and the Fair Trading Act. Where the Appliance was purchased in New Zealand for commercial purposes the Consumer Guarantee Act does not apply.

11. Confidentiality: You accept that if you make a warranty claim, Electrolux and its agents including ASC may exchange information in relation to you to enable Electrolux to meet its obligations under this warranty.

Important Notice

Before calling for service, please ensure that the steps listed in clause 8 above have been followed.

AUSTRALIA	FOR SERVICE or to find the address of your nearest authorised service centre in Australia PLEASE CALL 13 13 49 <small>For the cost of a local call</small>	FOR SPARE PARTS or to find the address of your nearest spare parts centre in Australia PLEASE CALL 13 13 50 <small>For the cost of a local call</small>
NEW ZEALAND	FOR SERVICE or to find the address of your nearest authorised service centre in New Zealand PLEASE CALL 0800 10 66 10	FOR SPARE PARTS or to find the address of your nearest spare parts centre in New Zealand PLEASE CALL 0800 10 66 20

For more information on all Westinghouse appliances, or for dimension and installation information, call into your retailer, phone or email our customer care team or visit our website:

AUSTRALIA

phone: 13 13 49

email: customercare@electrolux.com.au

web: westinghouse.com.au


NEW ZEALAND

phone: 0800 10 66 10

email: customercare@electrolux.co.nz

web: westinghouse.co.nz

**Westinghouse. We are part of the Electrolux family.
Share more of our thinking at www.electrolux.com**

 and WESTINGHOUSE are trademarks of Westinghouse Electric Corporation.
Used under license. All Rights Reserved.

Part Number: A19136407_A
© 2023 Electrolux Home Products Pty Ltd.
ABN 51 004 762 341
WMAN_CGH_May2023